



**LEFROY BROOKS**

1 8 2 8 T R O U T M A N S T R E E T  
R I D G E W O O D N E W Y O R K N Y 1 1 3 8 5 U S A  
T: +1(718) 302 5292 F: +1(718) 302 4177

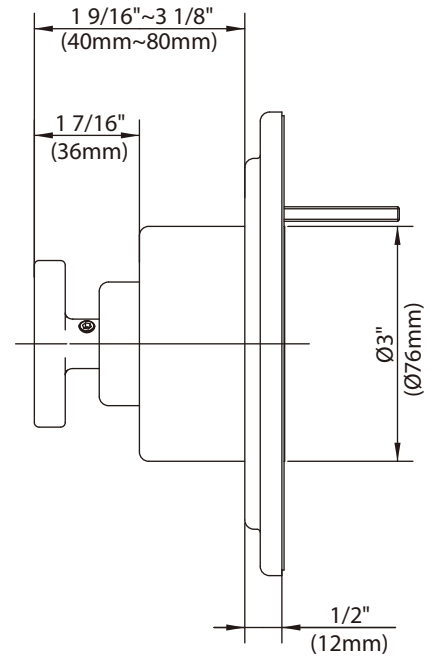
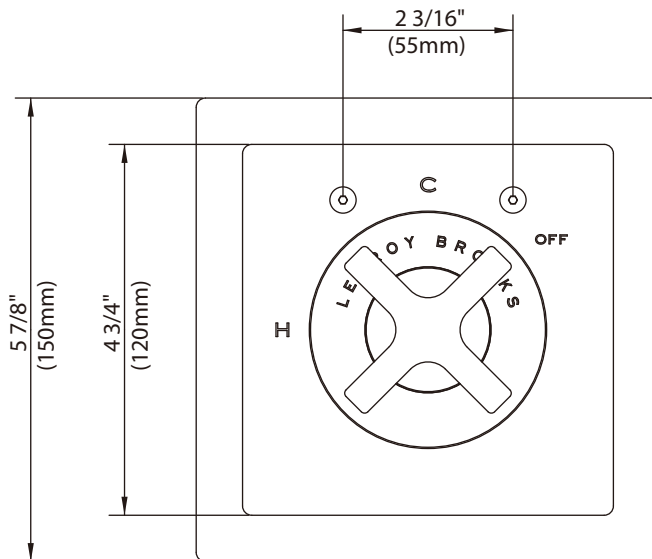
**M1-4300**

SINGLE CROSS HANDLE PRESSURE BALANCE TRIM ONLY, TO SUIT  
M1-4100 ROUGH

**DIMENSIONAL DATA SHEET**

DATE: 01 July 2013

No: A667827



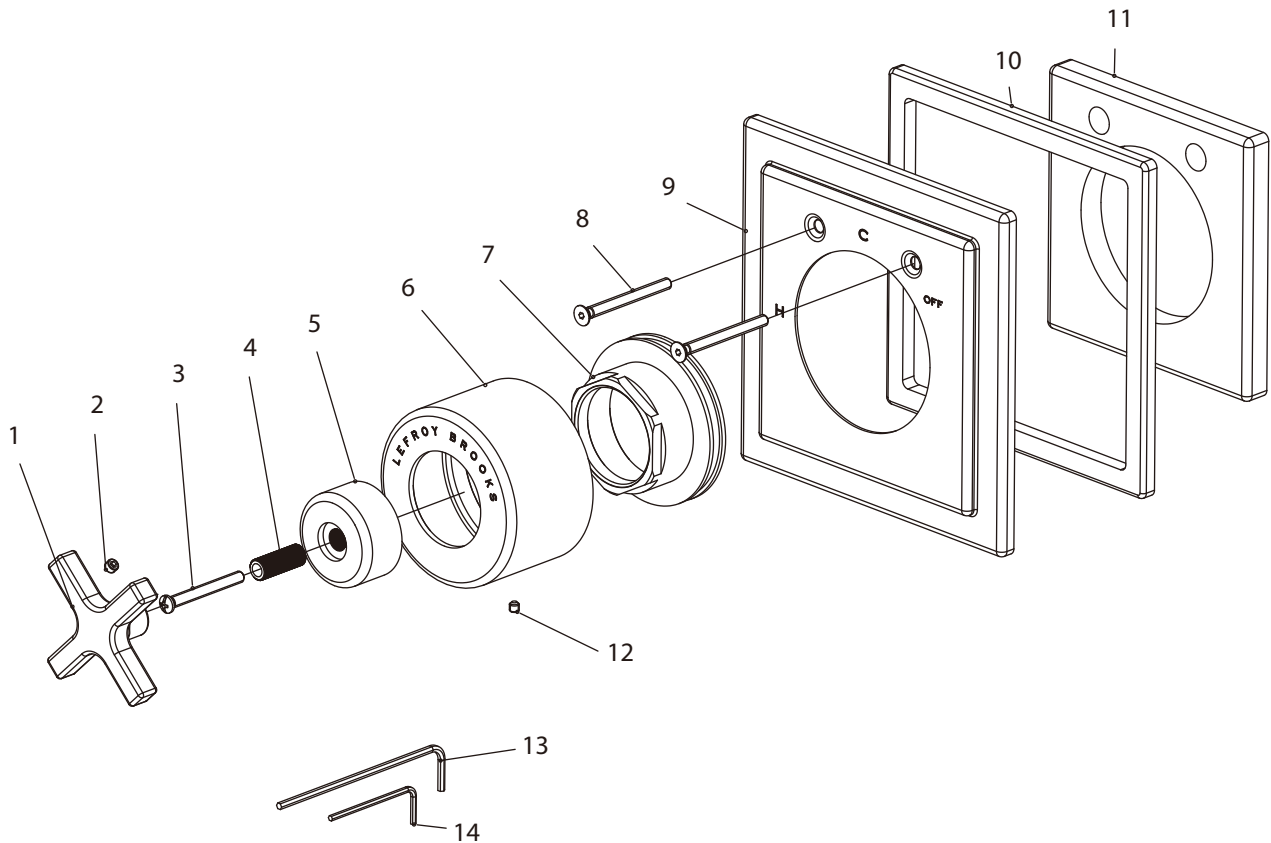
COPYRIGHT © LBIP LTD 2012. ALL RIGHTS RESERVED.

DIMENSIONS IN INCHES & MILLIMETRES

WHILST EVERY EFFORT IS MADE TO ENSURE THE ACCURACY OF THESE DATA SHEETS THEY ARE SUBJECT TO CHANGE WITHOUT NOTICE AS PART OF THE COMPANY'S PRODUCT DEVELOPMENT PROCESS

# M1-4300

SINGLE CROSS HANDLE PRESSURE BALANCE TRIM ONLY, TO SUIT M1-4100 ROUGH



1	Handle (029685)	6	Canopy (018959-50)	11	Seal (013815)
2	Set screw (292598)	7	Adjusting ring (104292)	12	Set screw (065086)
3	Screw (008115)	8	Screw (008186)	13	Allen key (031220)
4	Stem extension (110389)	9	Front plate (006583-50)	14	Allen key (031003)
5	Canopy (018961)	10	Seal (010941)		

## Standards

IAPMO/cUPC Listed  
Meets A112.18.1

Please note :  
Final achievable flow rate is dependent on the outlets fitted, see relevant outlets (spouts, roses, sprays) for fully assembled product flow rate.